

MAGNETIC OIL LEVEL GAUGE WITH CONTACTS

For Conservator with Air Bag

MODEL – SO-6 ATMS, DIAL SIZE 150 mm



ISO 9001:2015 CERTIFIED

FEATURES:

- Roller type Brass float assembly.
- Fixed float arm length based on conservator dia.
- Customized dial & calibration possible.
- Switch option – low/high & low/low & very low.
- Vertical/inclined mounting.

TECHNICAL CONDITIONS:

- Operating liquid: oil (trns.)
- Working temp. : 0°C – 100°C.
- Working pressure: 0-1 Kg/cm².
- Environment: indoor & outdoor.

* Float arm length (FAL) from centre of gear to centre of float based on (cons. Dia.-200)/0.7 07 up to conservator dia. 600 mm.

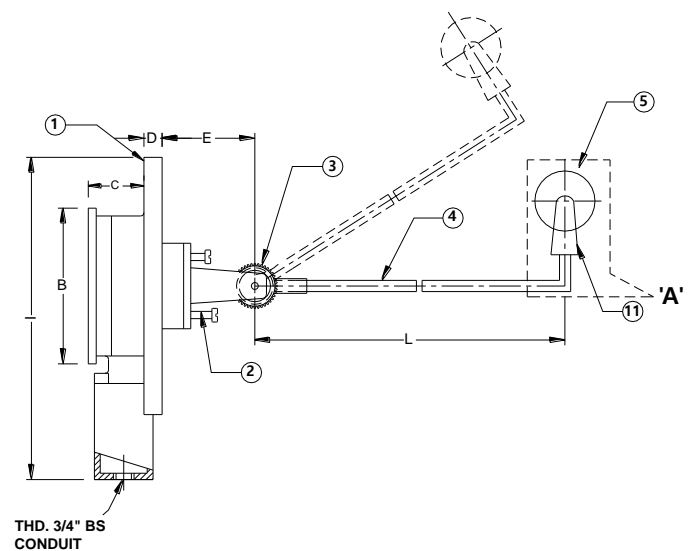
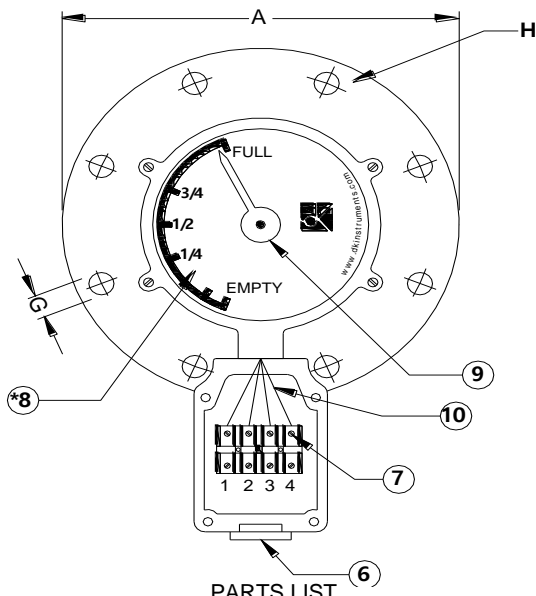
* (Cons. Dia. -250)/0.7 07 more than 600mm conservator dia.



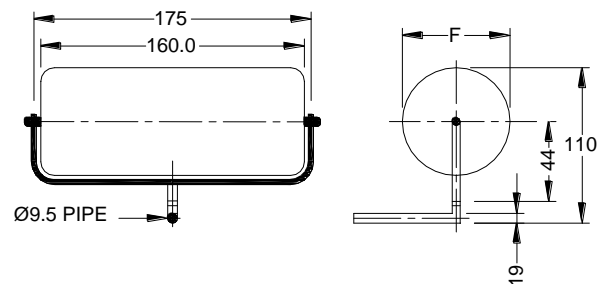
MODEL	DIAL (Ø)	A(Ø)	B(Ø)	C	D	E	F(Ø)	G(Ø)	No. OF HOLES (H)	HOLE P.C.D
SO - 6 - ATMS	150	236	195	30	12	42	76	13	8	209.7

NOTE : *MICRO SWITCH PLACED BEHIND THE DIAL.

Model: SO-6 ATMS

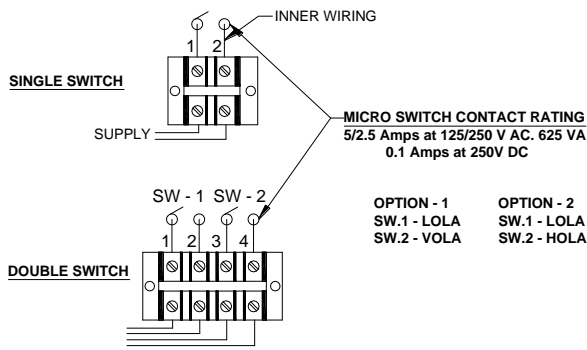


SR No.	DESCRIPTION	MATERIAL	QTY.
1	MAIN BODY	GRADED AL. ALLOY	1
2	LIMIT STOPPER	AL.	1
3	LEVER WITH GEAR	BRASS	1
4	FLOAT - ARM (Ø9.5 PIPE)	SS	1
5	ROLLER FLOAT	BRASS	1
6	HOLE FOR CABLE GLAND	¾" B.S.C.	1
7	CONNECTOR	ESSEN	1
8	MICRO SWITCH	HONEYWELL	1
9	DIAL WITH POINTER	AL.	1
10	CONNECTING WIRE	FINOLEX	2
11	BRACKET FOR FLOAT	SS	1



Details of "A"

WIRING DIAGRAM

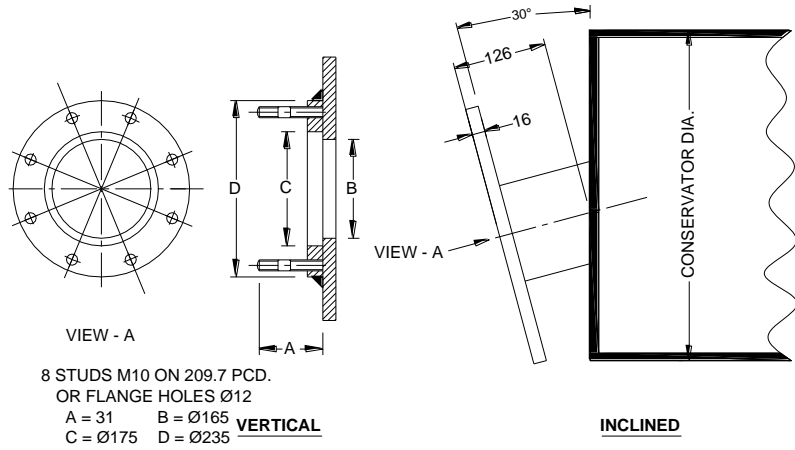
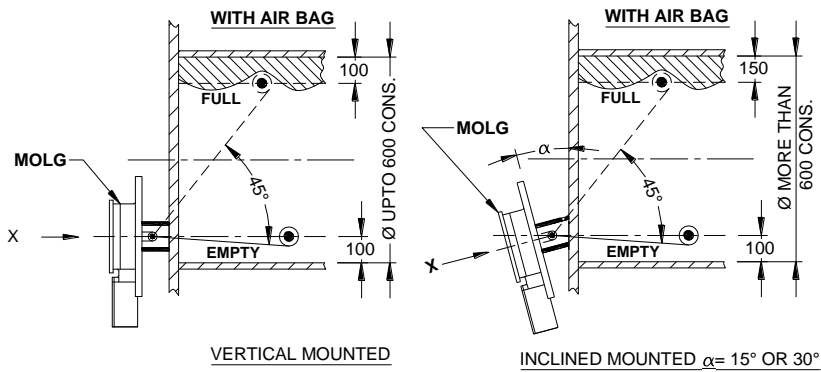


Switch:

Type: Micro switches Contact.
 Rating: 5Amp 240VAC, 0.5 Amp 240VDC
 Operation: LOLA, VOLA, HOLA

Mounting:

To mount the indicator the position can be selected on vertical or inclined wall of conservator/tank depending on importance of oil level readings and switching near Empty or customer requirements.



ORIENTATION OF MOUNTING PAD

D.K. INSTRUMENTS PVT. LTD.
 76/2 Selimpur road, Dhakuria, Kolkata – 700031. India
 Ph. No. : 91-33-2415 1310 / 2405 0944,
 E-mail: info@dkinstruments.com
 Web site: www.dkinstruments.com