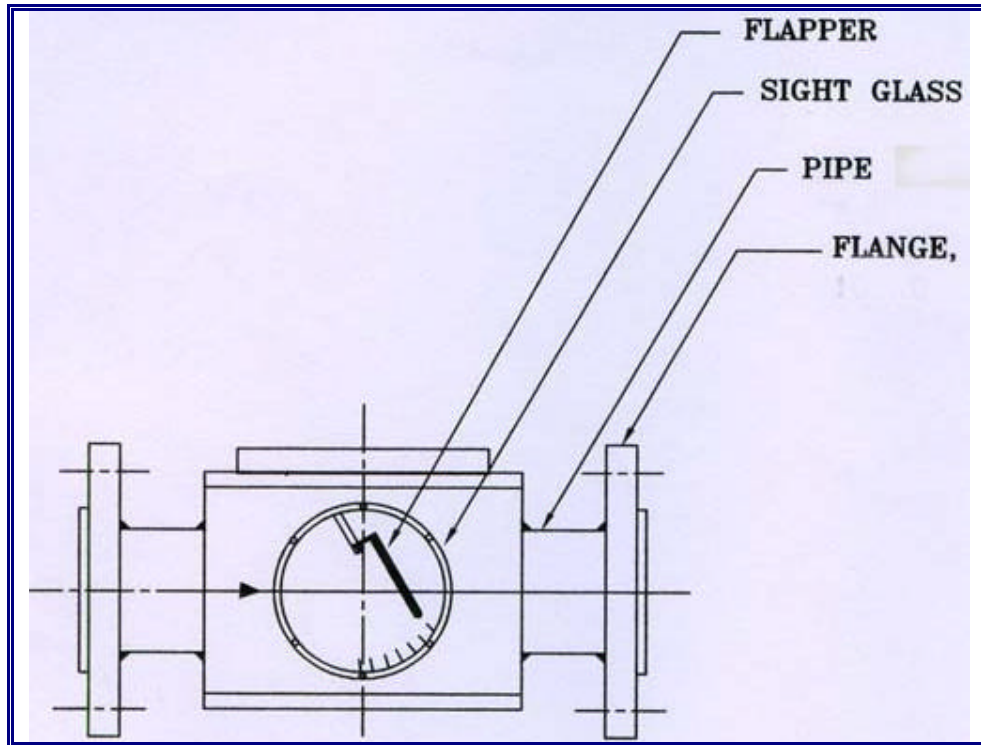
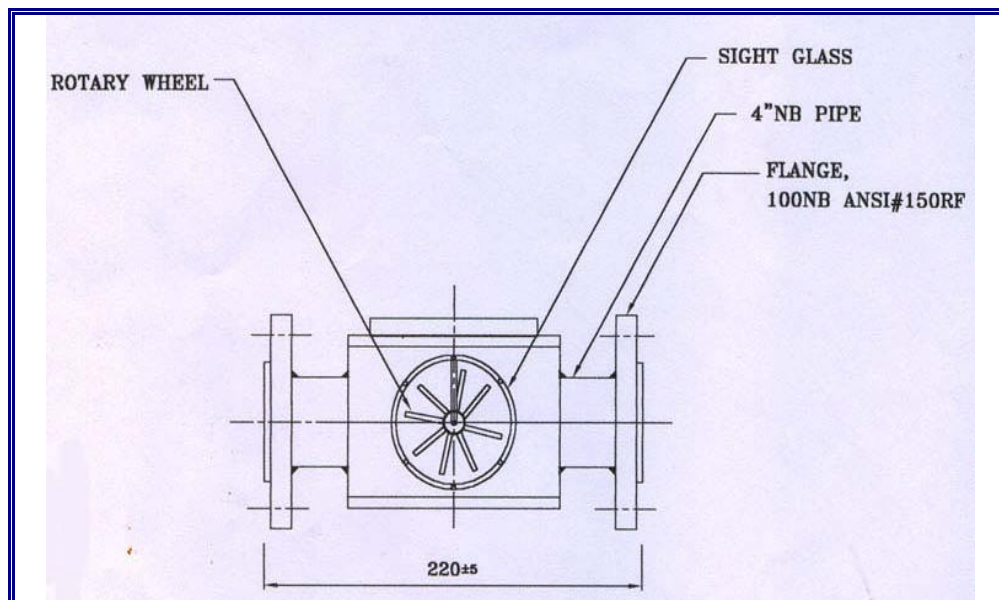


Schematic Drawing (Sight Glass)



Schematic Drawing (Sight Glass)



D. K. INSTRUMENTS PVT. LTD.



An ISO 9001:2000 Certified Company

76/2, Selimpur Road, Dhakuria, Kolkata – 700 031.

Ph. No.: 91-33-2415 1310 / 2405 0944, Fax: 91-33-2415 2311

E-mail: dkinst@vsnl.net, Web Site: www.dkstruments.com

